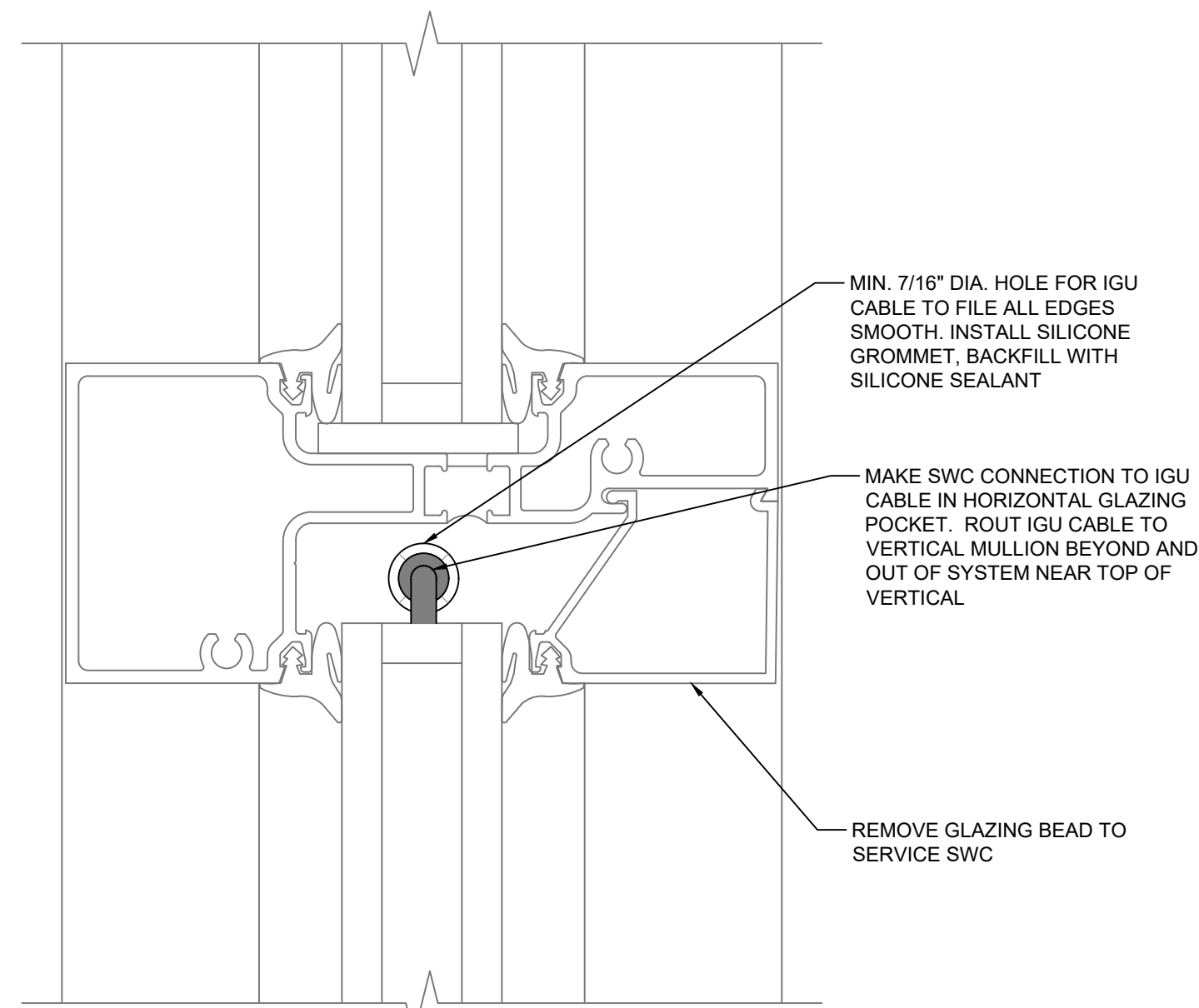
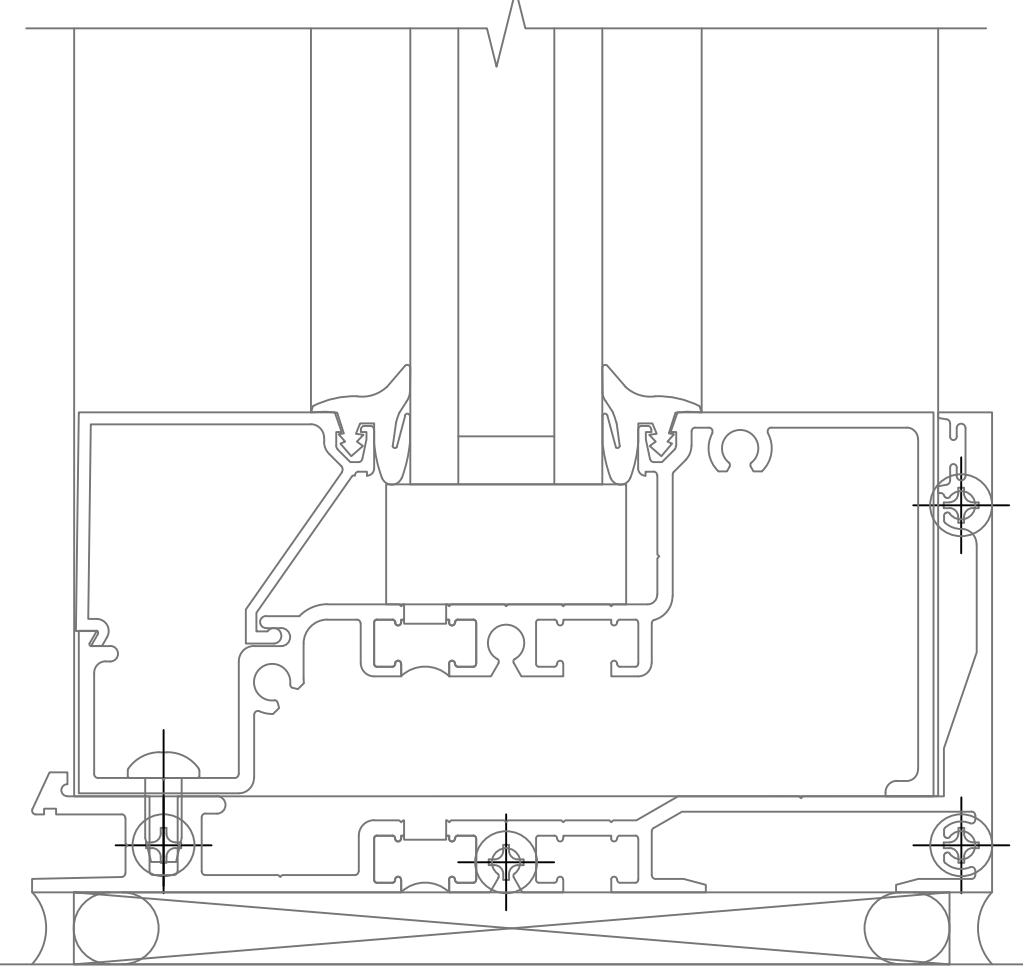


1 - HEAD DETAIL
6"=1'-0"

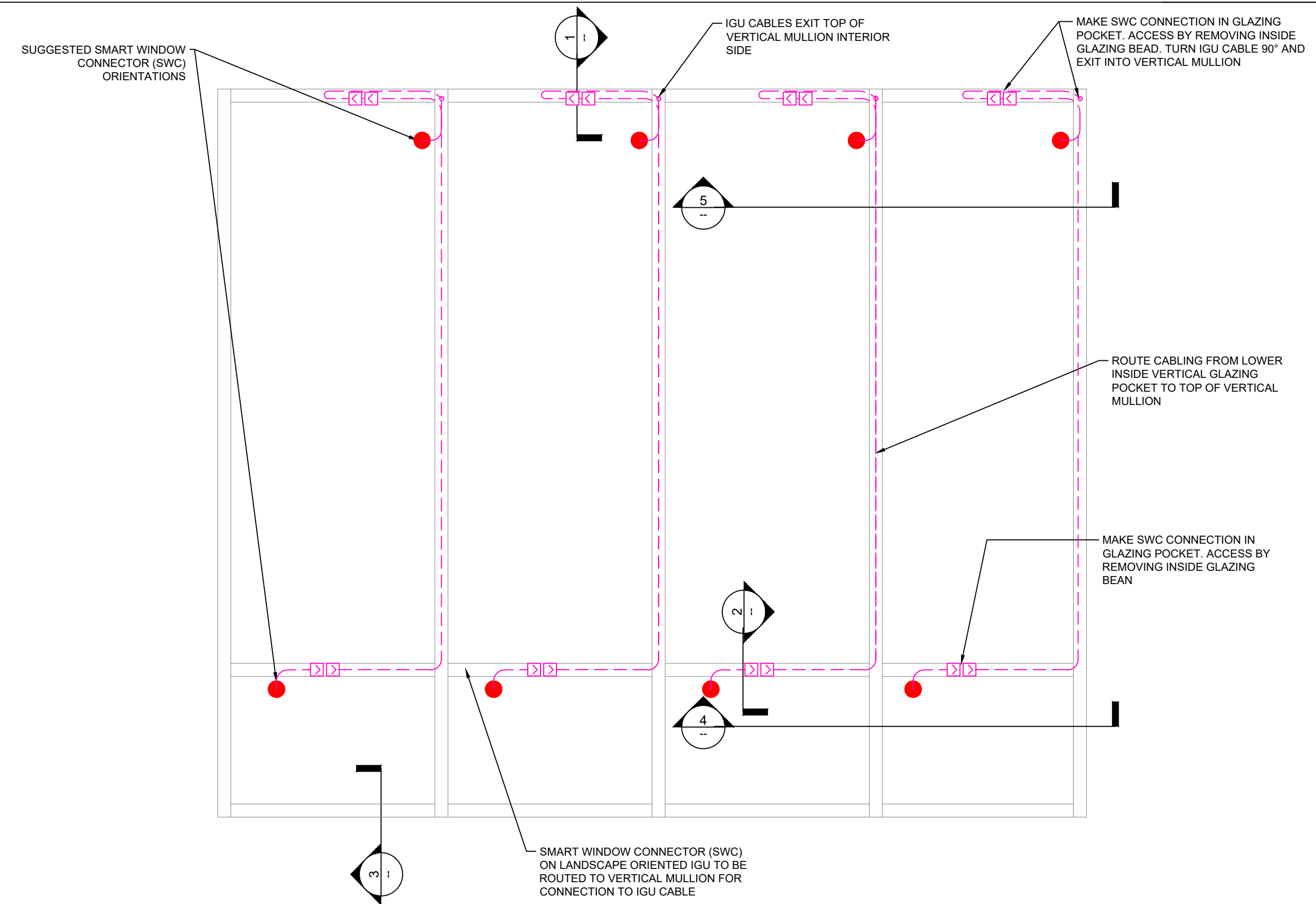


2 - TYPICAL HORIZONTAL DETAIL
6"=1'-0"

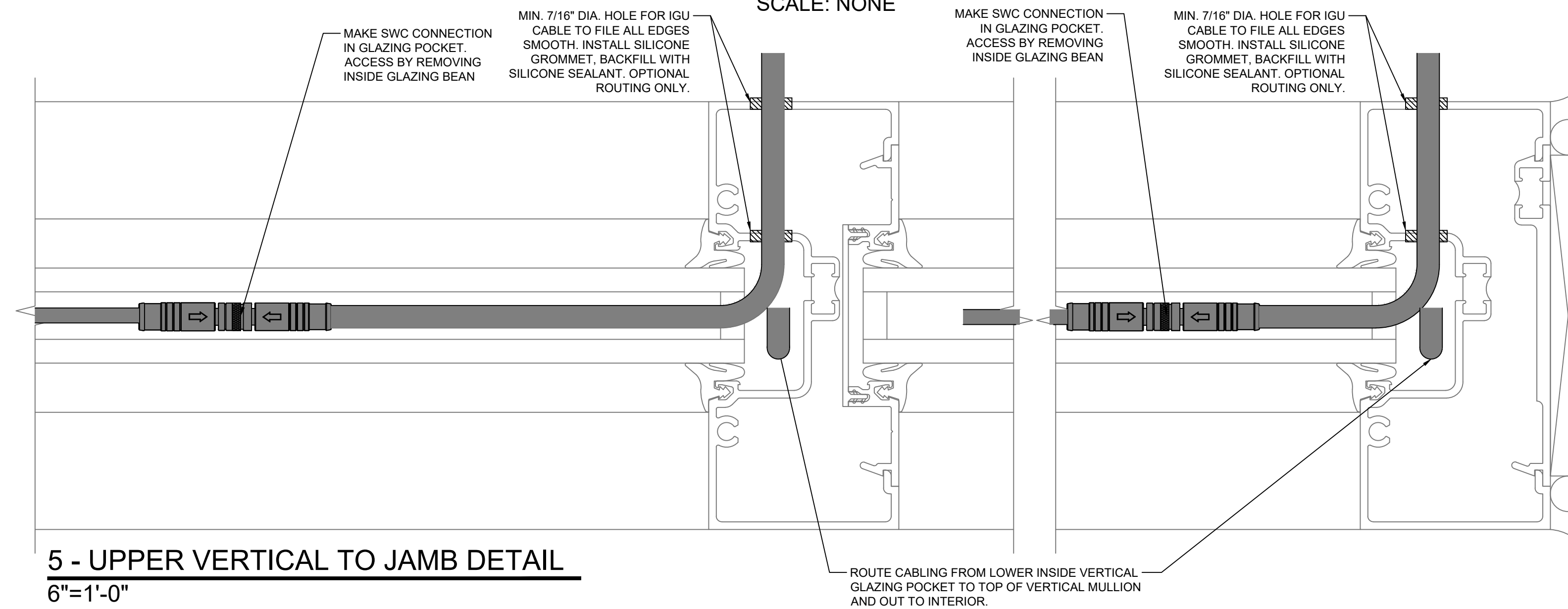
NO CABLE ROUTING IN SILL



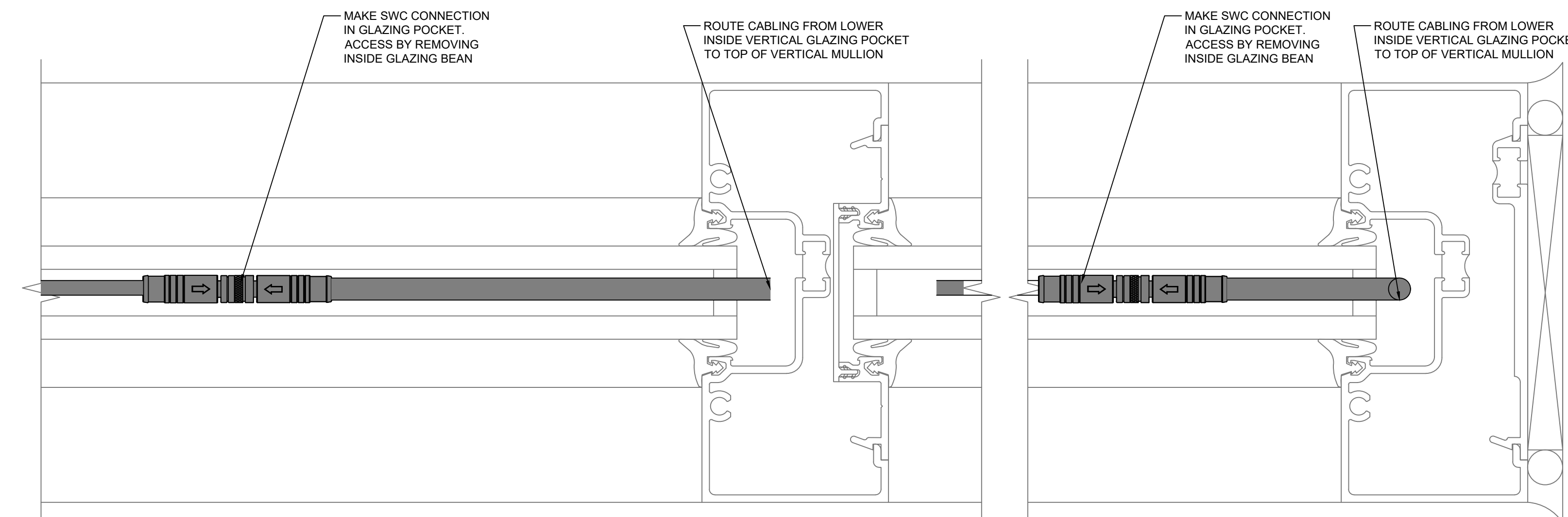
3 - TYPICAL SILL DETAIL
6"=1'-0"



TYPICAL ELEVATION
SCALE: NONE



5 - UPPER VERTICAL TO JAMB DETAIL
6"=1'-0"



4 - LOWER VERTICAL TO JAMB DETAIL
6"=1'-0"

REVISIONS		
NO.	DESCRIPTION	DATE
01	PRELIMINARY	00-00-16

DATE ISSUED: 09/30/2020
REVIEWED BY: ##/##
DRAWN BY: HK-KCS
DESIGNED BY: ##
VIEW PROJECT NUMBER | REVISION

© 2016 VIEW INC.
SHEET TITLE

**KAWNEER 451T-VG
STORE FRONT
INTEGRATION
DETAILS**

SHEET NUMBER

VIEW INC. CONFIDENTIAL: THIS DOCUMENT AND THE INFORMATION CONTAINED IN IT ARE CONFIDENTIAL AND CANNOT BE COPIED OR DISCLOSED IN WHOLE OR IN PART WITHOUT THE EXPRESS WRITTEN CONSENT OF VIEW, INC.®

SCALE: NONE